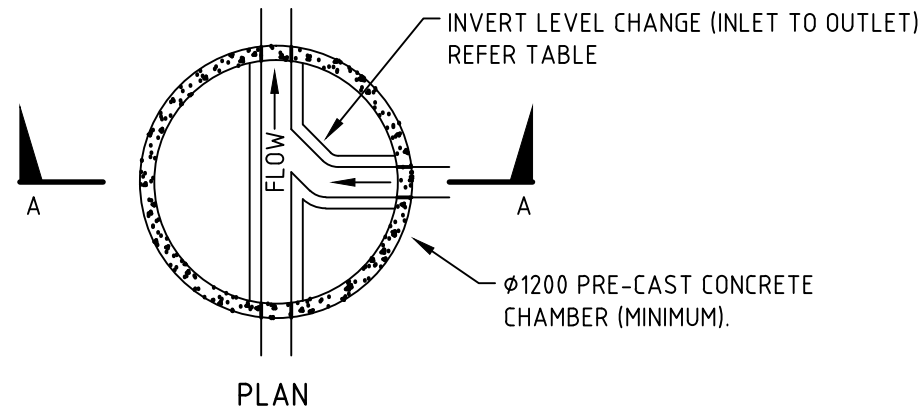


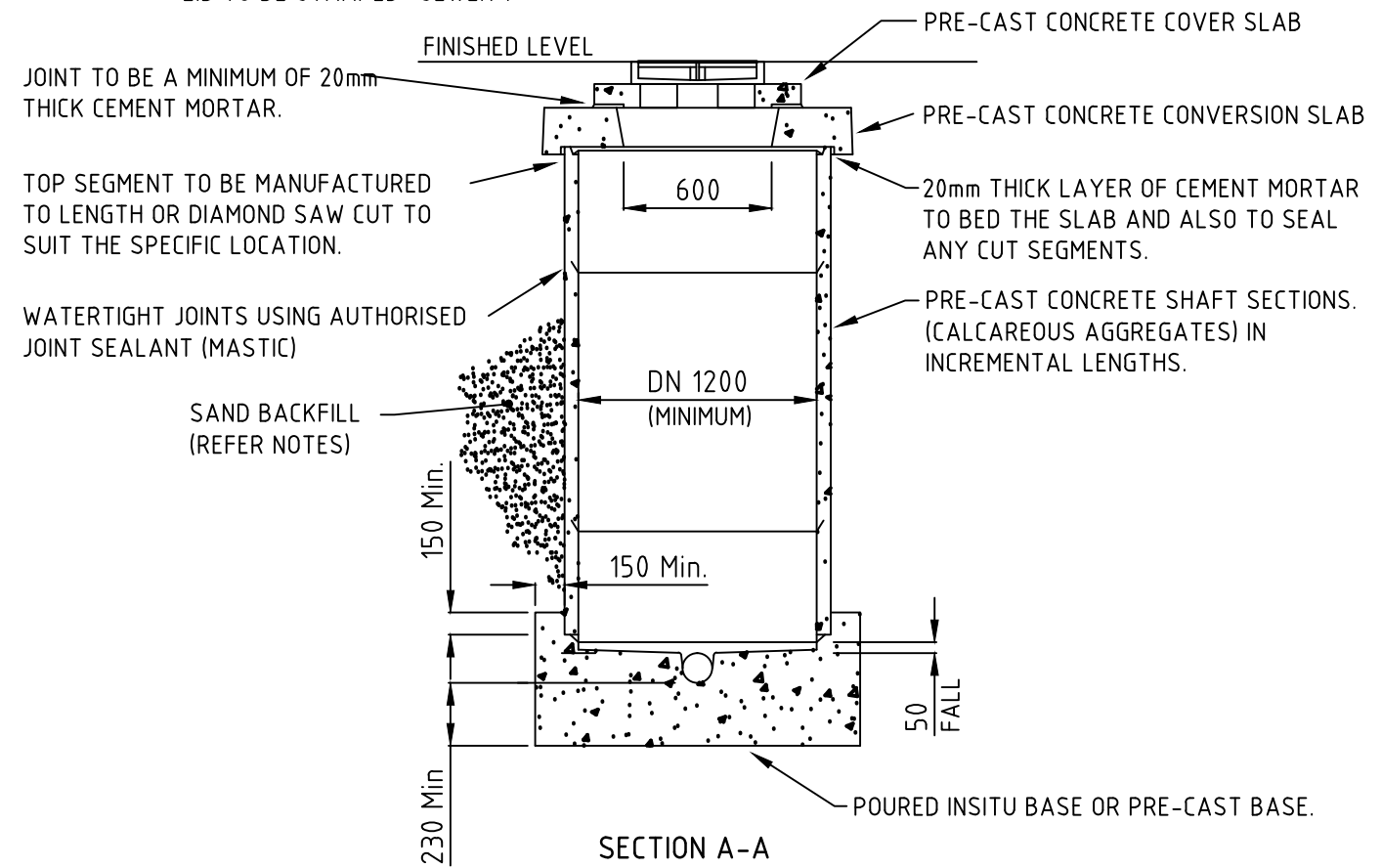
**NOTE:**

- CAST IRON LID & FRAME WITH "GATIC" TYPE LIFTING LUGS. OR SIMILAR APPROVED - CLASS 'D'.
- C.I. COVER AND FRAME TO BE A MATCHING SET WITH PRE-CAST CONCRETE COVER SLAB.
- LID TO BE STAMPED "SEWER".



INVERT LEVEL CHANGE ACROSS MANHOLES	
CHANGE IN FLOW DIRECTION	MINIMUM FALL ACROSS PIT
STRAIGHT THROUGH OR FOR BENDS <45°	MAINTAIN PIPE GRADE
FOR BENDS 45° TO 90°	30mm
FOR BENDS > 90°	60mm

**NOTES:** WHERE PIPE DIAMETER CHANGES ACROSS MANHOLE - MATCH OBVERT LEVEL OF PIPES



**NOTES:**

1. CONCRETE TO BE 32Mpa SULPHATE RESISTANT.
2. LIFTING HOLES AND OTHER PERFORATIONS IN CHAMBER WALL TO BE FILLED WITH EPOXY GROUT.
3. SAND SHALL BE APPROVED CLEAN PIT SAND. FREE FROM CLAY, ROCKS, LOAM & VEGETABLE MATTER AND SHALL BE COMPACTED TO 95% STANDARD COMPACTION.
4. SCREENINGS TO BE USED WHERE GROUNDWATER IS EVIDENT.
5. M.H./A.C. TO BE DESIGNED FOR UPLIFT IF REQUIRED.
6. UNLESS VARIED BY THE ABOVE NOTES, REFER TO S.A. WATER REQUIREMENTS.

ALL MEASUREMENTS IN MILLIMETRES

REV	DESCRIPTION	DATE	DES	DRW	APP	INFRASTRUCTURE GUIDELINES (SA)	SHEET TITLE MAINTENANCE HOLE / ACCESS CHAMBER ( MH / AC ) - CWMS	SCALE NTS @ A3	DRAWING No. <b>SD 745</b>	REV <b>B</b>
B	MINOR AMENDMENTS	6.11.2018	AF	AF	MDH					
A	MINOR AMENDMENTS	18.07.2017	JZ	JC	DSL					
THIS PROJECT HAS BEEN ASSISTED BY THE LOCAL GOVERNMENT RESEARCH AND DEVELOPMENT SCHEME AND INSTITUTE OF PUBLIC WORKS ENGINEERING AUSTRALASIA										