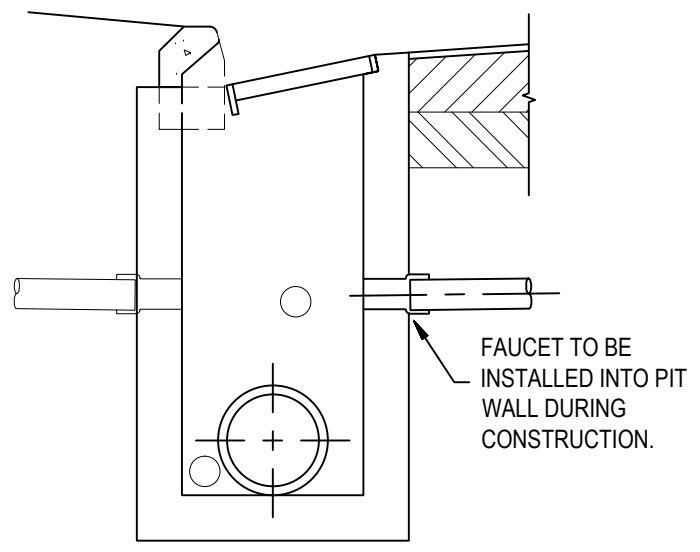
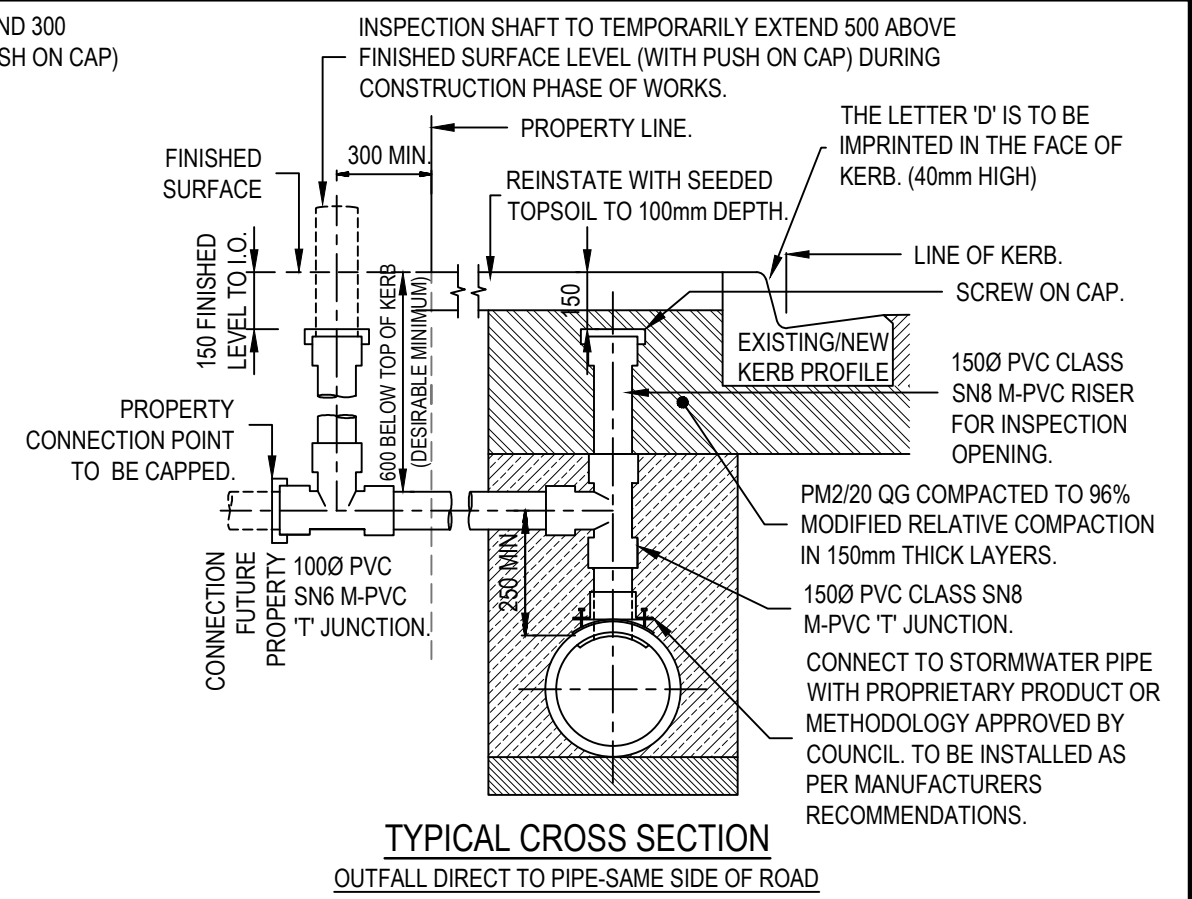
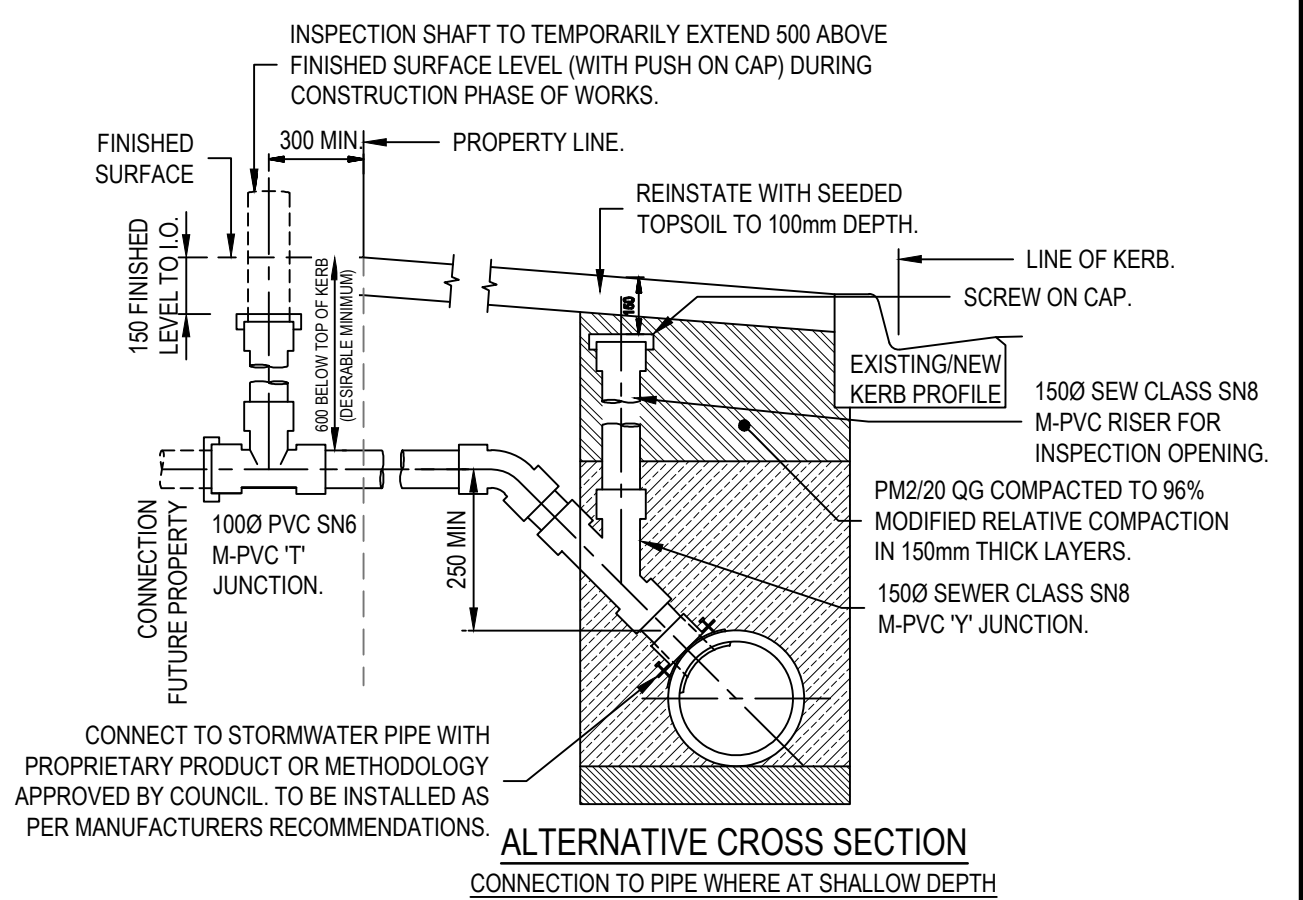


OUTFALL DIRECT TO PIPE (UNDER ROAD PAVEMENT)



OUTFALL DIRECT TO DRAINAGE PIT (STREET DRAINAGE)

- NOTES:
1. PM2/20 QG BACKFILL TO BE USED UNDER ROAD PAVEMENT.
 2. CONCRETE KERB TO BE STAMPED WHEN CURING WITH THE LETTER 'D' ADJACENT THE HOUSE DRAIN CONNECTION POINT.



ALL MEASUREMENTS IN MILLIMETRES

REV	DESCRIPTION	DATE	DES	DRW	APP
D	MINOR AMENDMENTS	06.11.2018	AF	AF	MDH
C	MINOR AMENDMENTS	18.07.2017	JZ	JC	DSL
B	ISSUED FOR REVIEW	10.05.2016	JZ	DL	DSL
A	ISSUED FOR REVIEW	15.03.2016	JZ	DL	DSL

THIS PROJECT HAS BEEN ASSISTED BY THE LOCAL GOVERNMENT RESEARCH AND DEVELOPMENT SCHEME AND INSTITUTE OF PUBLIC WORKS ENGINEERING AUSTRALASIA

INFRASTRUCTURE GUIDELINES (SA)	
SHEET TITLE	
STORMWATER ALLOTMENT DRAIN CONNECTION TO AUTHORITY PIPELINE	
SCALE	REV
NTS @ A3	
DRAWING No.	
SD 385	D