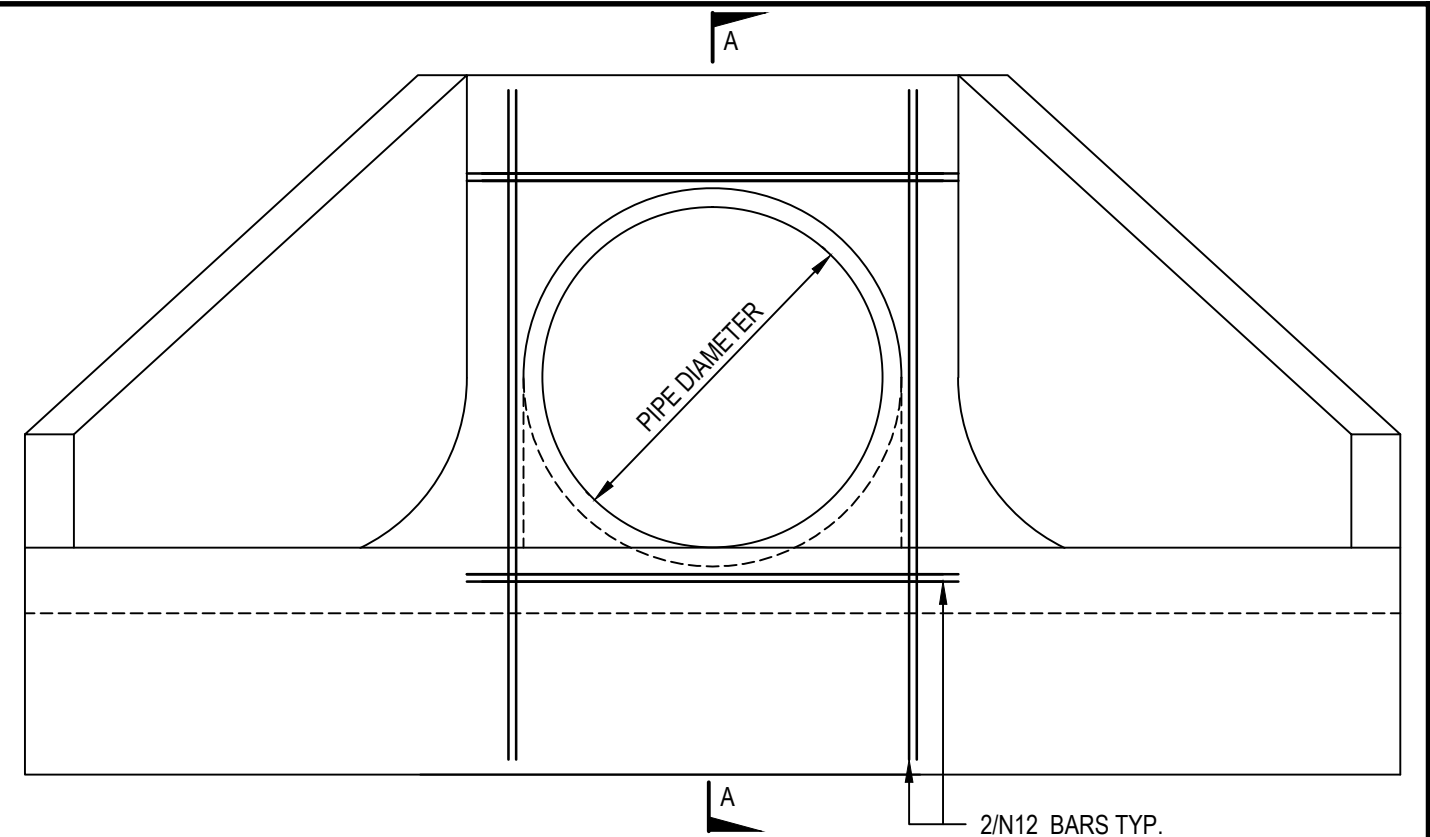


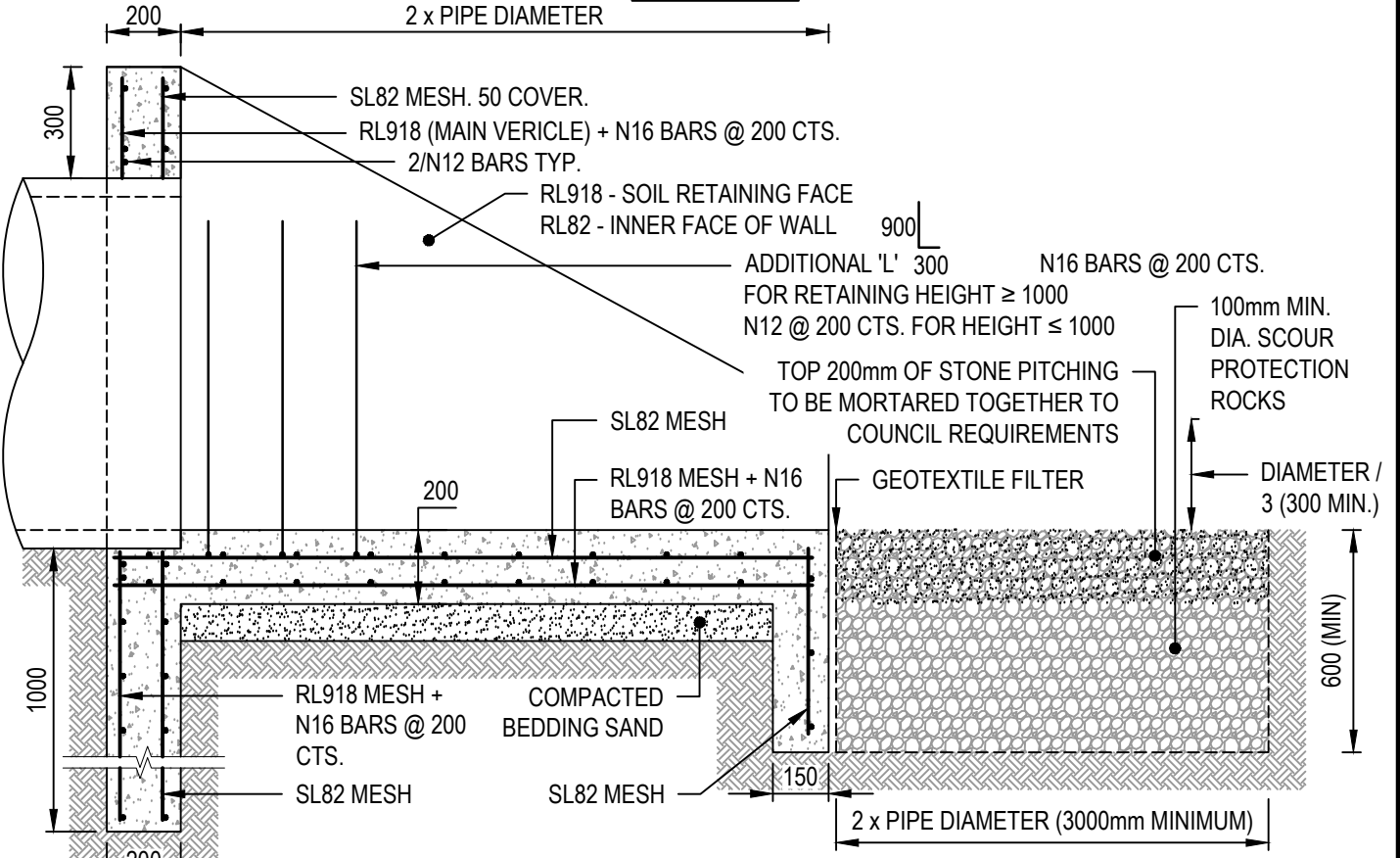
TRANSITION STONE PITCHING TO MATCH DRAINAGE SWALE PROFILE

PLAN

STONE PITCHING TO BE DESIGNED TO SUITE OUTLET CONDITIONS AND FLOW VELOCITY (MIN 150mm DIAMETER)



ELEVATION



SECTION A-A

ALL MEASUREMENTS IN MILLIMETRES

NOTES:

1. STREAMLINING AT UPSTREAM END ONLY
2. SCOUR PROTECTION AT OUTLET AS SHOWN, UNLESS OTHERWISE APPROVED.
3. APPROVED PRECAST HEADWALLS MAY BE USED AS AN ALTERNATIVE WITH CAST IN SITU LEGS.
4. MINIMUM COVER TO PIPES TO BE 300mm
5. MINIMUM FABRIC LAP 300mm
6. CONCRETE GRADE TO BE N32, SLUMP 80mm IN ACCORDANCE WITH AS3600.
7. FENCING AT TOP OF HEADWALL MAY BE REQUIRED IN LOCATION WHERE HEIGHT > 1.0m AND SITE ACCESSIBLE TO THE PUBLIC.
8. ALTERNATE SCOUR PROTECTION INCLUDING MATTRESSES AT OUTLET OF HEADWALL ACCEPTABLE SUBJECT TO DESIGN BASED ON FLOW RATE AND VELOCITY.
9. MAXIMUM BATTER SLOPE 1V : 2H

REV	DESCRIPTION	DATE	DES	DRW	APP
D	MINOR AMENDMENTS	06.11.2018	AF	AF	MDH
C	ISSUED FOR REVIEW	10.06.2016	JZ	DL	DSL
B	ISSUED FOR REVIEW	10.05.2016	JZ	DL	DSL
A	ISSUED FOR REVIEW	15.03.2016	JZ	DL	DSL

THIS PROJECT HAS BEEN ASSISTED BY THE LOCAL GOVERNMENT RESEARCH AND DEVELOPMENT SCHEME AND INSTITUTE OF PUBLIC WORKS ENGINEERING AUSTRALASIA

INFRASTRUCTURE GUIDELINES (SA)

SHEET TITLE
STANDARD HEADWALL FOR SINGLE PIPE 675-1800 DIAMETER

SCALE
NTS @ A3

DRAWING No. **SD 351** REV **D**