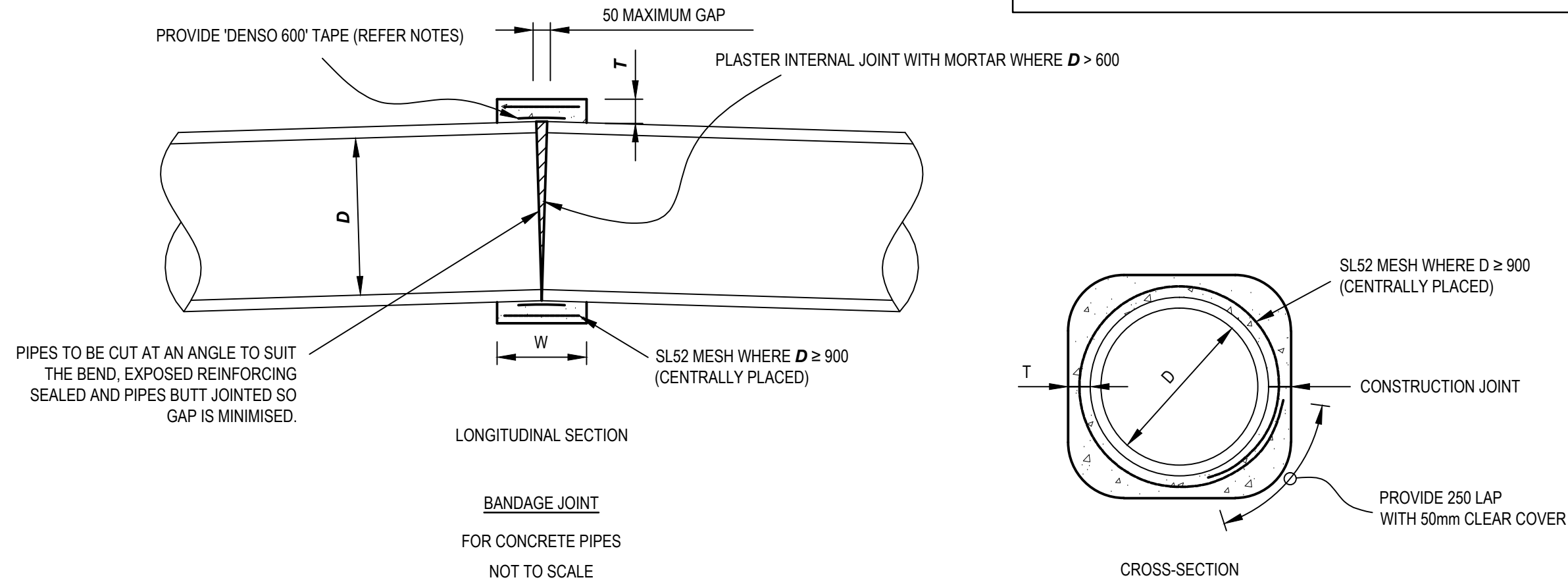


BANDAGE JOINT NOTES:

1. ALL CONCRETE WORKS TO BE 32MPa UNLESS NOTED OTHERWISE.
2. 'DENSO 600' TAPE OR SIMILAR APPROVED SHALL BE USED. TAPE TO BE 200mm MIN. WIDTH AND LAPPED 100mm MIN. TAPE IS TO BE INSTALLED IN ACCORDANCE WITH THE MANUFACTURER'S SPECIFICATIONS.
3. MORTAR MIX TO CONSIST OF 3 PARTS SAND TO 1 PART CEMENT BY VOLUME.
4. MAXIMUM DEFLECTION ANGLE

PIPE SIZE	MAXIMUM DEFLECTION ANGLE
• 300Ø	16°
• 600Ø	14°
• 900Ø	12°
• 1800Ø	6°

PREFABRICATED SPLAYS SHALL BE USED WHERE DEFLECTION EXCEED ABOVE ANGLES



BANDAGE JOINT REQUIREMENTS		
PIPE DIAMETER (D)	THICKNESS (T)	WIDTH (W)
D < 900	100	400
D ≥ 900	150	600

ALL MEASUREMENTS IN MILLIMETRES

						INFRASTRUCTURE GUIDELINES (SA)			
						SHEET TITLE			
						BANDAGE JOINT			
A	ISSUED FOR REVIEW		06.11.2018	AF	AF	MDH	SCALE		
REV	DESCRIPTION		DATE	DES	DRW	APP	NTS @ A3		
THIS PROJECT HAS BEEN ASSISTED BY THE LOCAL GOVERNMENT RESEARCH AND DEVELOPMENT SCHEME AND INSTITUTE OF PUBLIC WORKS ENGINEERING AUSTRALASIA								DRAWING No.	
								SD 341	
								REV	
								A	