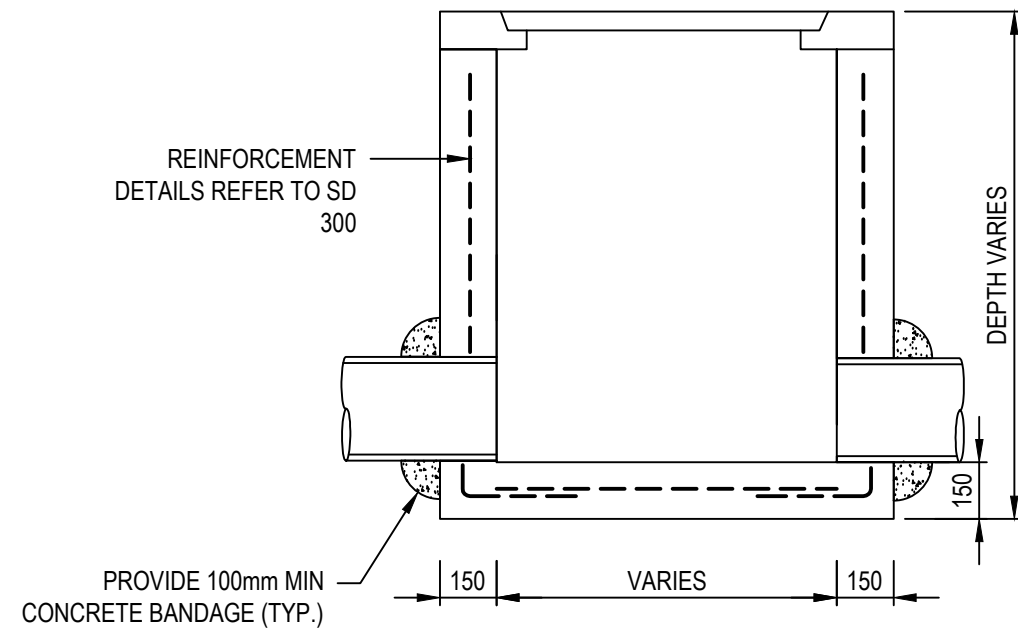


SECTION A-A



SECTION B-B

**NOTES:**

1. PRECAST LINTEL FRAME AND LIDS AS APPROVED BY COUNCIL TO BE INSTALLED TO MANUFACTURERS RECOMMENDATIONS.
2. CONSTRUCT - 100mm DIA. P.V.C. PIPE WITH CONSTRUCTION WORKS TO DRAIN WATER FROM PAVEMENT. AS DIRECTED BY COUNCIL.
3. AT LOW POINT TRANSITION 1200mm BOTH SIDES.
4. PRECAST LINTEL TO MATCH REQUIRED KERB TYPE.

ALL MEASUREMENTS IN MILLIMETRES

REV	DESCRIPTION	DATE	DES	DRW	APP
D	MINOR AMENDMENTS	06.11.2018	AF	AF	MDH
C	MINOR AMENDMENTS	18.07.2017	JZ	JC	DSL
B	ISSUED FOR REVIEW	10.05.2016	JZ	DL	DSL
A	ISSUED FOR REVIEW	15.03.2016	RJF	DL	DSL

THIS PROJECT HAS BEEN ASSISTED BY THE LOCAL GOVERNMENT RESEARCH AND DEVELOPMENT SCHEME AND INSTITUTE OF PUBLIC WORKS ENGINEERING AUSTRALASIA

INFRASTRUCTURE GUIDELINES (SA)	
SHEET TITLE <b>STORMWATER SIDE ENTRY PIT AND LIDS WITH PRECAST LINTEL</b>	
SCALE NTS @ A3	
DRAWING No. <b>SD 325</b>	REV <b>D</b>