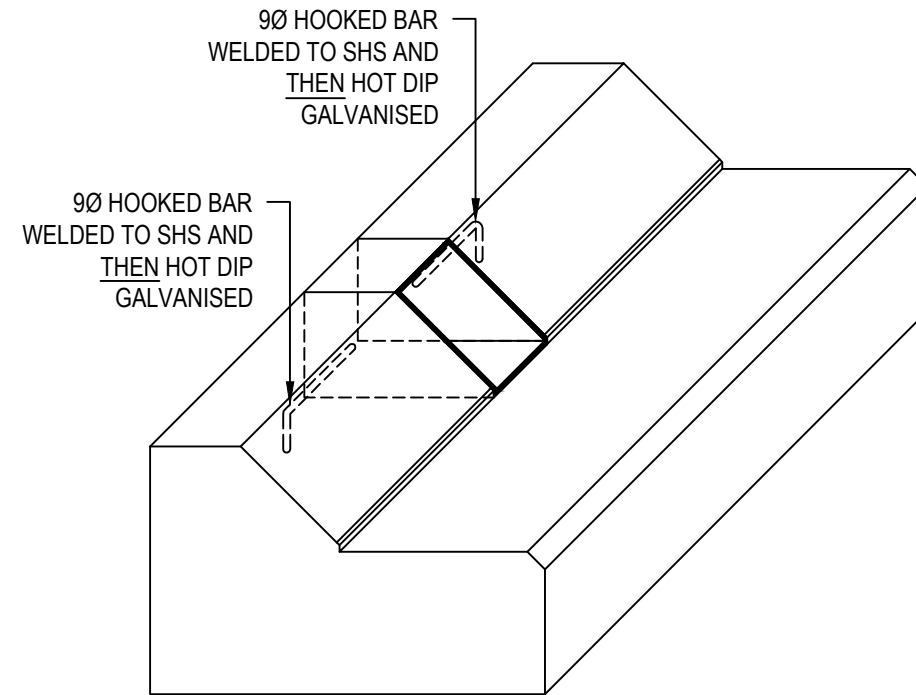
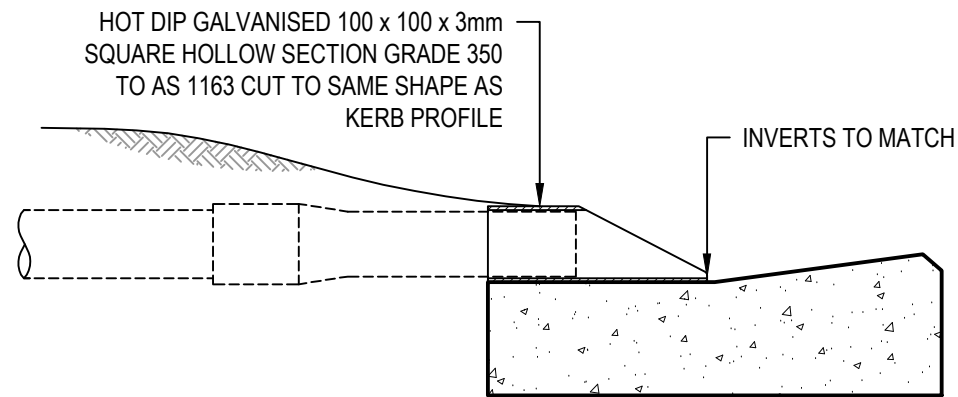


RESIDENTIAL STORMWATER OUTLET CONNECTION



STORMWATER OUTLET DETAIL



SECTION
A-A

PROVIDE ONE OUTLET PER 10m OF FRONTAGE
ON LOW SIDE OF LOT (UP TO 2 OUTLETS PER LOT)

ALL MEASUREMENTS IN MILLIMETRES

REV	DESCRIPTION	DATE	DES	DRW	APP
D	MINOR AMENDMENTS	06.11.2018	AF	AF	MDH
C	MINOR AMENDMENTS	18.07.2017	JZ	JC	DSL
B	ISSUED FOR REVIEW	10.05.2016	JZ	DL	DSL
A	ISSUED FOR REVIEW	15.03.2016	JZ	DL	DSL

THIS PROJECT HAS BEEN ASSISTED BY THE LOCAL GOVERNMENT RESEARCH AND DEVELOPMENT SCHEME AND INSTITUTE OF PUBLIC WORKS ENGINEERING AUSTRALASIA

INFRASTRUCTURE GUIDELINES (SA)
SHEET TITLE
**STANDARD STORMWATER KERB
OUTLET DETAILS - INSTALLED
DURING CONSTRUCTION**

SCALE
1:10 @ A3
DRAWING No. **SD 115** REV **D**